



Product designation				Power contactor
Product type designation				B310
Contact characteristics				
Number of poles	nr.			3
Rated insulation voltage U_i IEC/EN	V			1000
Rated impulse withstand voltage U_{imp}	kV			8
Operational frequency	min	Hz	25	
	max	Hz	400	
IEC Conventional free air thermal current I_{th}	A			450
Operational current I_e	AC-1 ($\leq 40^\circ\text{C}$)	A	450	
	AC-1 ($\leq 55^\circ\text{C}$)	A	370	
	AC-1 ($\leq 70^\circ\text{C}$)	A	300	
	AC-3 ($\leq 440\text{V} \leq 55^\circ\text{C}$)	A	320	
	AC-4 (400V)	A	110	
Rated operational power AC-3 ($T \leq 55^\circ\text{C}$)	230V	kW	100	
	400V	kW	170	
	415V	kW	188	
	440V	kW	200	
	500V	kW	213	
	690V	kW	256	
	1000V	kW	180	
Rated operational power AC-1 ($T \leq 40^\circ\text{C}$)	230V	kW	158	
	400V	kW	270	
	440...480V	kW	350	
	690V	kW	488	
IEC max current I_e in DC1 with $L/R \leq 1\text{ms}$ with 1 poles in series	75V	A	375	
	110V	A	195	
	220V	A	--	
	330V	A	--	
	460V	A	--	
IEC max current I_e in DC1 with $L/R \leq 1\text{ms}$ with 2 poles in series	75V	A	375	
	110V	A	350	
	220V	A	300	
	330V	A	--	
	460V	A	--	
IEC max current I_e in DC1 with $L/R \leq 1\text{ms}$ with 3 poles in series	75V	A	375	
	110V	A	350	
	220V	A	350	

	330V	A	300
	460V	A	--
IEC max current I _e in DC1 with L/R ≤ 1ms with 4 poles in series			
	75V	A	375
	110V	A	350
	220V	A	350
	330V	A	350
	460V	A	300
IEC max current I _e in DC3-DC5 with L/R ≤ 15ms with 1 poles in series			
	75V	A	310
	110V	A	170
	220V	A	--
	330V	A	--
	460V	A	--
IEC max current I _e in DC3-DC5 with L/R ≤ 15ms with 2 poles in series			
	75V	A	310
	110V	A	290
	220V	A	230
	330V	A	--
	460V	A	--
IEC max current I _e in DC3-DC5 with L/R ≤ 15ms with 3 poles in series			
	75V	A	310
	110V	A	310
	220V	A	290
	330V	A	230
	460V	A	--
IEC max current I _e in DC3-DC5 with L/R ≤ 15ms with 4 poles in series			
	75V	A	310
	110V	A	310
	220V	A	310
	330V	A	230
	460V	A	230
Short-time allowable current for 10s (IEC/EN60947-1)		A	2900
Protection fuse			
	gG (IEC)	A	500
	aM (IEC)	A	400
Making capacity (RMS value)		A	3150
Breaking capacity at voltage			
	440V	A	3000
	500V	A	2700
	690V	A	2520
Resistance per pole (average value)		mΩ	0.2
Power dissipation per pole (average value)			
	I _{th}	W	40.5
	AC3	W	20
Tightening torque for terminals			
	min	Nm	35
	max	Nm	35
	min	I _{bin}	25.8
	max	I _{bin}	25.8
Tightening torque for coil terminal			
	min	Nm	1
	max	Nm	1

	min	lbft	0.74
	max	lbft	0.74
Max number of wires simultaneously connectable		nr.	2
Power terminal protection according to IEC/EN 60529			IP00
Mechanical features			
Operating position	normal allowable		Vertical plan ±30°
Fixing			Screw
Weight		g	9520
Operations			
Mechanical life		cycles	10000000
Electrical life		cycles	700000
Safety related data			
Performance level B10d according to EN/ISO 13489-1	rated load mechanical load	cycles	700000
		cycles	10000000
Mirror contacts according to IEC/EN 60947-4-1			yes
EMC compatibility			yes
AC coil operating			
Rated AC voltage at 50/60Hz, 60Hz	min	V	24
	max	V	480
AC operating voltage			
of 50/60Hz coil powered at 50Hz			
pick-up	min	%Us	80
	max	%Us	110
drop-out	min	%Us	20
	max	%Us	60
of 50/60Hz coil powered at 60Hz			
pick-up	min	%Us	80
	max	%Us	110
drop-out	min	%Us	20
	max	%Us	60
of 60Hz coil powered at 60Hz			
pick-up	min	%Us	80
	max	%Us	110
drop-out	min	%Us	20
	max	%Us	60
AC operating voltage at 20°C			
of 50/60Hz coil powered at 50Hz			
	in-rush	VA	300
	holding	VA	10
of 50/60Hz coil powered at 60Hz			
	in-rush	VA	300
	holding	VA	10
Dissipation at holding ≤20°C 50Hz		W	10
DC coil operating			

DC rated control voltage

min	V	24
max	V	500

DC operating voltage

pick-up

min	%Us	80
max	%Us	110

drop-out

min	%Us	20
max	%Us	60

Average coil consumption $\leq 20^{\circ}\text{C}$

in-rush	W	300
holding	W	10

Max cycles frequency

Mechanical operation

cycles/h 2400

Operating times

Average time for Us control

in AC

Closing NO

min	ms	80
max	ms	120

Opening NO

min	ms	30
max	ms	75

in DC

Closing NO

min	ms	80
max	ms	120

Opening NO

min	ms	30
max	ms	75

UL technical data

Full-load current (FLA) for three-phase AC motor

at 480V	A	301
at 600V	A	289

Yielded mechanical performance

for three-phase AC motor

200/208V	hp	100
220/230V	hp	125
460/480V	hp	250
575/600V	hp	300

General USE

Contactor

AC current A 450

Ambient conditions

Temperature

Operating temperature

min	$^{\circ}\text{C}$	-50
max	$^{\circ}\text{C}$	70

Storage temperature

min	$^{\circ}\text{C}$	-60
max	$^{\circ}\text{C}$	80

Max altitude

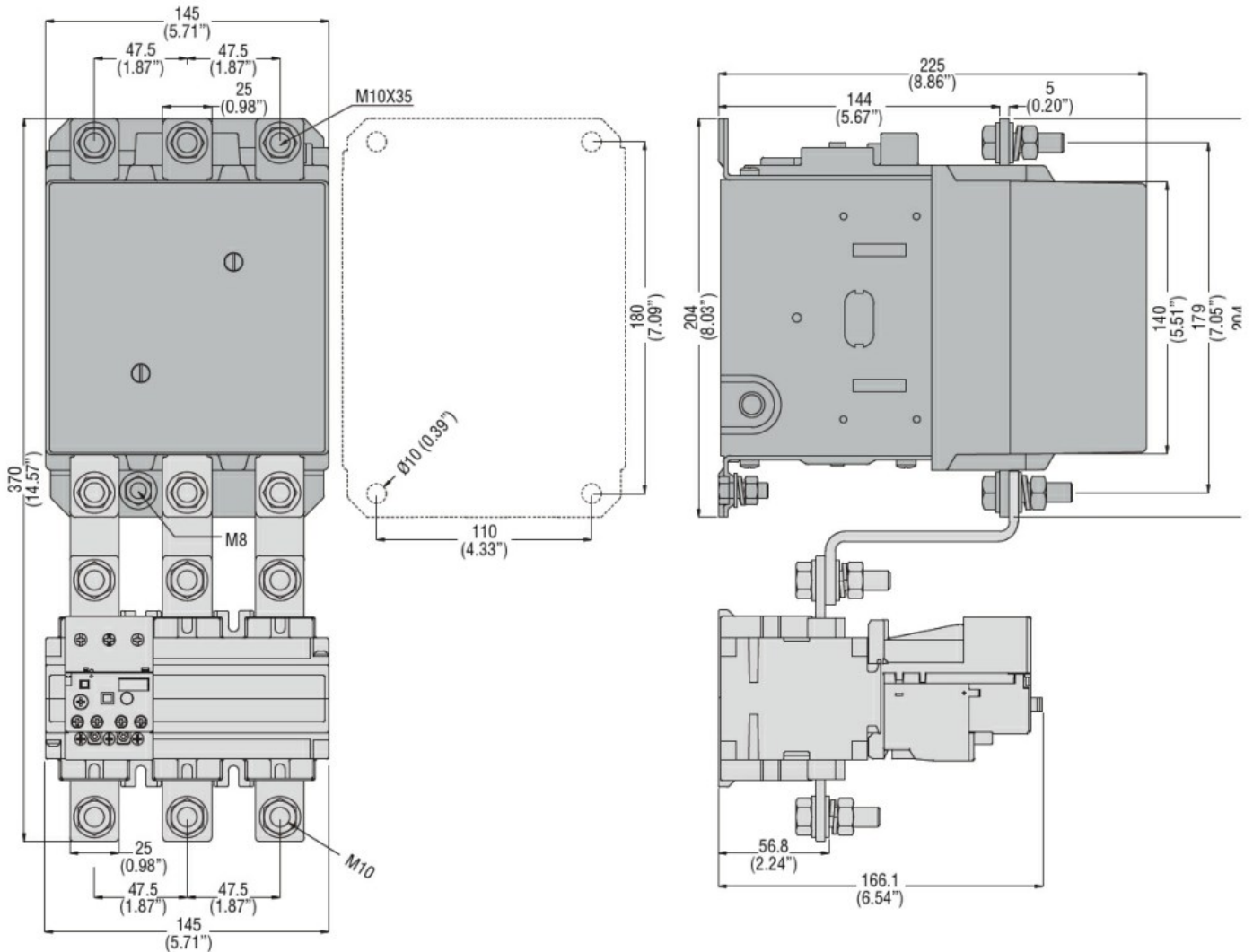
m 3000

Resistance & Protection

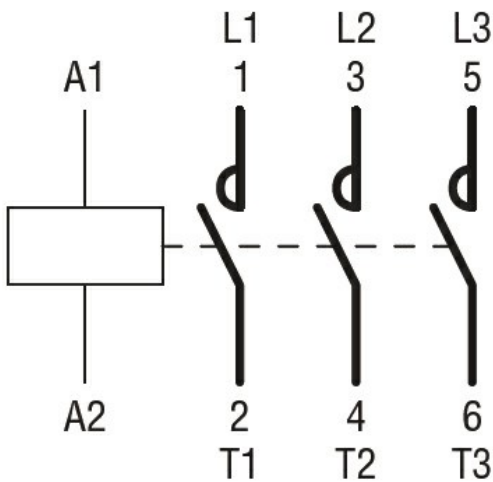
Pollution degree

3

Dimensions



Wiring diagrams



Certifications and compliance

Compliance

CSA C22.2 n° 60947-1
CSA C22.2 n° 60947-4-1
IEC/EN 60947-1

IEC/EN 60947-4-1

UL 60947-1

UL 60947-4-1

Certificates

CCC

cULus

EAC