



Type	AT3-60KVA 230-400V IP23
Description	Three-phase auto-transformer 60KVA IP23
Product code	CV058445
Standards	EN60076

Date 25/09/2019

Rated Power	AUTO 60KVA
-------------	------------

Input

Rated input voltage	230 V
Rated frequency	50-60 Hz
Primary current	151 A
Winding material	Al

Output

Rated output voltage	400V
Secondary current	86,6A
Winding material	Al

Marks	CE
-------	----

Environment

Cooling method	AN
Ambient temperature max	40°C/F
Winding temperature rise	CLASS F
Altitude	1000 mt

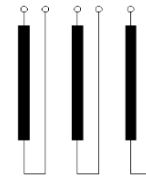
Terminals and mounting

Terminals	TERMINAL BLOCKS
Fixing method	SCREWS

Dimensions (mm) and weight (kg) - Transformer*

A	B	C	Weight
480	300	440	130

Vector group	Yna0
--------------	------



Performance**

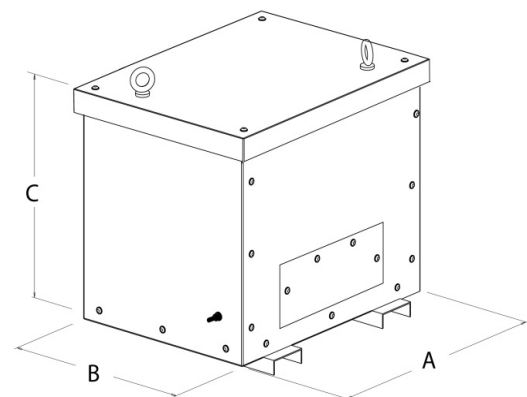
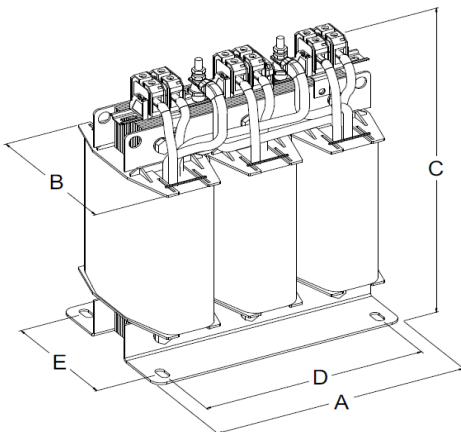
No-load losses	165 W
Load losses at 75°C	810 W
Efficiency at 75°C	98,40%
Ucc TOT (UccR / UccX) at 75°C	2,00%

Safety and protection

Insulation class	CLASS F
Working class	CLASS F
Protection degree	IP00
Inrush current	6-7 x In
No-load Voltage	405,4V
Test Voltage	3 KV/1'

Dimensions (mm) and weight (kg)- Enclosure IP23

A	B	C	Weight
740	650	740	36



* dimensions and weight tolerance: ± 4%

