

# ARGENTA SERIES

## IP66 STEEL WALL-MOUNTING CABINETS

Description: IP66 ROLLED STEEL WALL-MOUNTING CABINET 500x400x200 OPAQUE DOOR

Reference:

**GN504020**

### Characteristics:

<b>Product type:</b>	Wall-mounting cabinet
<b>Dimensions cabinet:</b>	(AxBxC) 500x400x200 mm
<b>Installation:</b>	Surface
<b>Type of door:</b>	Single opaque door
<b>Locking:</b>	5-mm double-bit lock - Two 1-point lock
<b>Finish:</b>	Coated with hardened polyester paint, embossed, 80-120 µ, with UV protection
<b>Colour:</b>	Grey RAL 7035
<b>Mounting plate:</b>	With flat mounting plate. 2-mm galvanised sheet steel
<b>Weight (Kg):</b>	11,3
<b>Materials:</b>	Cold-rolled steel EN 10130+A1 Sheet thickness. Body: 1,2 mm. Door: 1,2 mm. Cable entry lid: 1,2 mm. Injected polyurethane sealing gasket
<b>Capacity:</b>	
<b>Maximum acceptable loads:</b>	Total load: 225 Kg. Door: 25 Kg. Plate: 200 Kg.

### Technical data:

<b>Degree of protection:</b>	IP66 / NEMA 1, 12, 4
<b>Resistance to impact:</b>	IK10
<b>Ambient temperature range:</b>	-25 °C / +40 °C
<b>Maximum operating voltage:</b>	1000 V AC

### Certificates and standards:

<b>Directive:</b>	2014/35/EU
<b>Standards:</b>	UNE-EN 62208 and UNE-EN 61439-1-3 (as applicable)
<b>Certificates:</b>	UL508A / Bureau Veritas



### Codes:

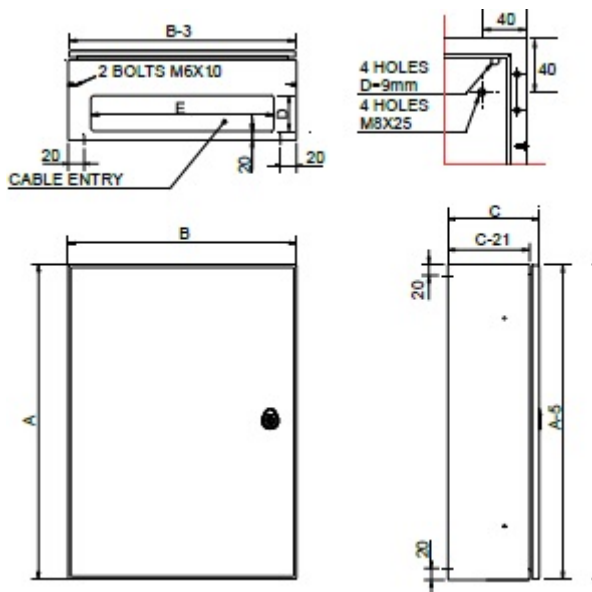
<b>EAN:</b>	8431044490519
<b>Customs tariff number:</b>	85.38.10.00
<b>ETIM 6.0:</b>	EC000261

# ARGENTA SERIES

## IP66 STEEL WALL-MOUNTING CABINETS



Description: IP66 ROLLED STEEL WALL-MOUNTING CABINET 500x400x200 OPAQUE DOOR

Reference: GN504020



Standard drawing



**Detailed drawing:**  <http://www.ide.es/downloads/planos/pdf/GN504020.pdf>  
 <http://www.ide.es/downloads/planos/dxf/GN504020.dxf>  
 <http://www.ide.es/downloads/planos/stp/GN504020.stp>

<b>Dimensions cabinet:</b>	(AxBxC) 500x400x200 mm	<b>Cable entry:</b>	(DxE) 140x300 mm
<b>Body to be flush-fitted:</b>	-	<b>Wall fixing:</b>	(HeightxWidth) 460x360 mm
<b>Inside usable space:</b>	(HeightxWidthxDepth) 450x350x179 mm	<b>Glass dorr with transparent panel:</b>	-

### Sustainability:

RoHS - REACH

### Supply:

Supplied in individual packaging containing cabinet, plate and accessory bag. Mounting plate is supplied unassembled inside the packaging.

### Product end of life:

It does not require specific recycling operations.

### Recommended applications:

Industrial environments, manufacturing companies requiring a high degree of protection against dust, splashes and impacts.