

ARGENTA SERIES

IP66 STEEL WALL-MOUNTING CABINETS

Description: IP66 ROLLED STEEL WALL-MOUNTING CABINET 400x300x150 OPAQUE DOOR

Reference:
GN403015

Characteristics:

Product type:	Wall-mounting cabinet
Dimensions cabinet:	(AxBxC) 400x300x150 mm
Installation:	Surface
Type of door:	Single opaque door
Locking:	5-mm double-bit lock - One 1-point lock
Finish:	Coated with hardened polyester paint, embossed, 80-120 µ, with UV protection
Colour:	Grey RAL 7035
Mounting plate:	With flat mounting plate. 2-mm galvanised sheet steel
Weight (Kg):	6,95
Materials:	Cold-rolled steel EN 10130+A1 Sheet thickness. Body: 1,2 mm. Door: 1,2 mm. Cable entry lid: 1,2 mm. Injected polyurethane sealing gasket
Capacity:	
Maximum acceptable loads:	Total load: 175 Kg. Door: 25 Kg. Plate: 150 Kg.

Technical data:

Degree of protection:	IP66 / NEMA 1, 12, 4
Resistance to impact:	IK10
Ambient temperature range:	-25 °C / +40 °C
Maximum operating voltage:	1000 V AC

Certificates and standards:

Directive:	2014/35/EU
Standards:	UNE-EN 62208 and UNE-EN 61439-1-3 (as applicable)
Certificates:	UL508A / Bureau Veritas



Codes:

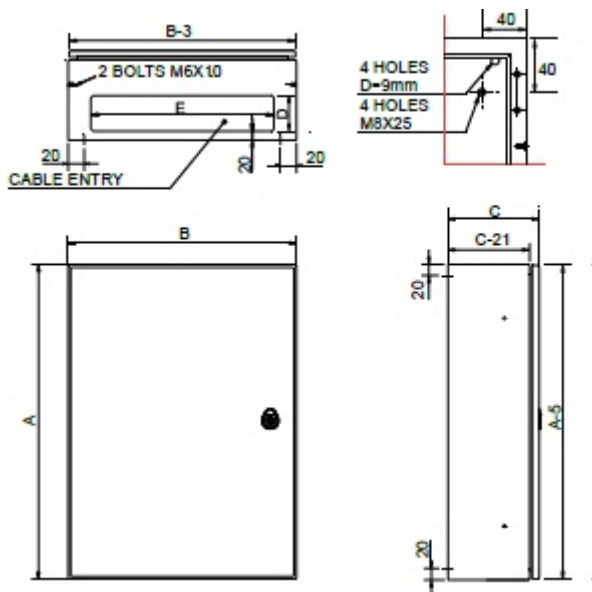
EAN:	8431044490311
Customs tariff number:	85.38.10.00
ETIM 6.0:	EC000261

ARGENTA SERIES

IP66 STEEL WALL-MOUNTING CABINETS



Description: IP66 ROLLED STEEL WALL-MOUNTING CABINET 400x300x150 OPAQUE DOOR

Reference: GN403015



Standard drawing



Detailed drawing:  <http://www.ide.es/downloads/planos/pdf/GN403015.pdf>
 <http://www.ide.es/downloads/planos/dxf/GN403015.dxf>
 <http://www.ide.es/downloads/planos/stp/GN403015.stp>

Dimensions cabinet:	(AxBxC) 400x300x150 mm	Cable entry:	(DxE) 80x200 mm
Body to be flush-fitted:	-	Wall fixing:	(HeightxWidth) 360x260 mm
Inside usable space:	(HeightxWidthxDepth) 350x250x129 mm	Glass dorr with transparent panel:	-

Sustainability:

RoHS - REACH

Supply:

Supplied in individual packaging containing cabinet, plate and accessory bag. Mounting plate is supplied unassembled inside the packaging.

Product end of life:

It does not require specific recycling operations.

Recommended applications:

Industrial environments, manufacturing companies requiring a high degree of protection against dust, splashes and impacts.